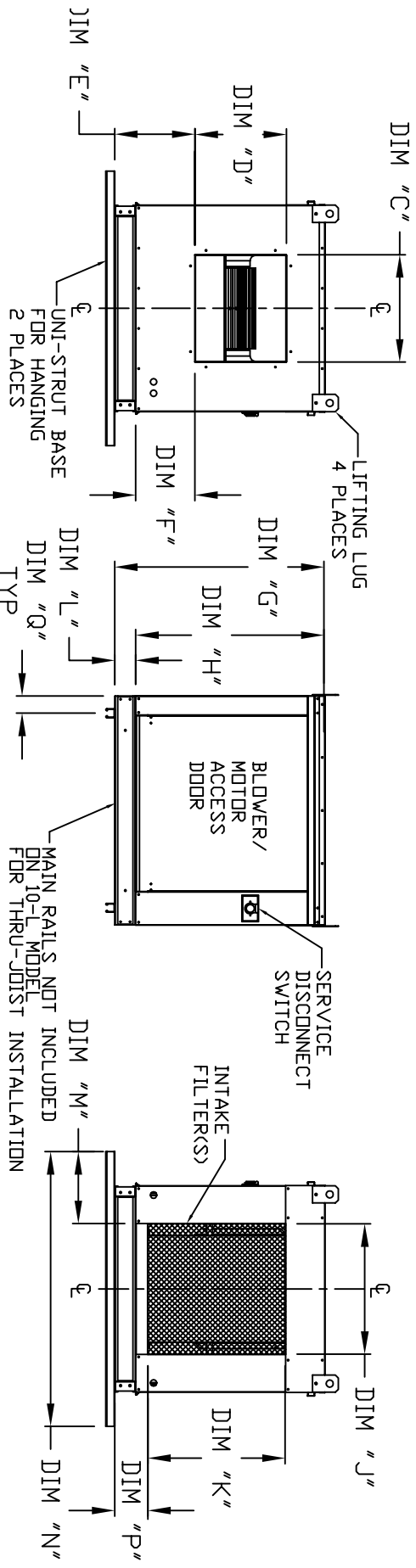
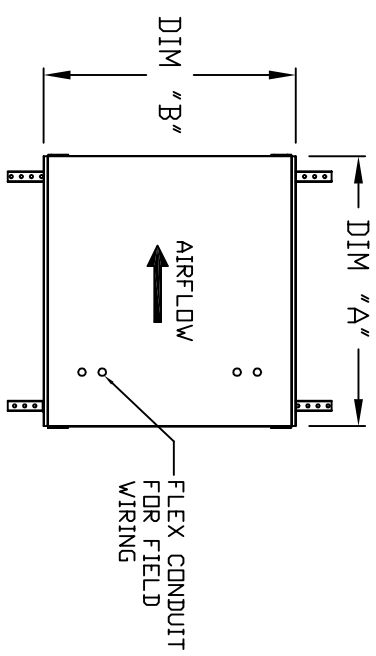


INLINE FILTERED SUPPLY FAN

REV #10 8/4/2015



BLOWER	UNIT INFORMATION		UNIT DIMENSIONS															
	FILTER SIZE	BLOWER SIZE	WEIGHT (lbs)	A	B	C	D	E	F	G	H	J	K	L	M	N	P	Q
10"-L	(1) 16IN x 20IN	10 IN	195	32 1/8	27 3/8	13 1/4	11 1/2	N/A	8 1/8	N/A	22 1/16	16	18	N/A	5 1/16	36	2 1/8	0
10"	(1) 16IN x 20IN	10 IN	220	32 1/8	27 3/8	13 1/4	11 1/2	11 13/16	8 1/8	29 3/4	26 1/16	16	18	3 3/4	5 1/16	48	5 3/4	1
12"	(1) 20IN x 25IN	12 IN	350	40 1/8	37 3/8	15 3/4	13 9/16	1 1/16	9 3/8	36 3/4	33 1/16	22 3/4	24	3 3/4	6 11/16	48	5 3/4	1
15"	(1) 20IN x 25IN	15 IN	375	40 1/8	37 3/8	18 3/4	16	14	10 5/16	36 3/4	33 1/16	22 3/4	24	3 3/4	6 11/16	48	5 3/4	1
18"	(2) 20IN x 25IN	18 IN	470	45 1/8	41 3/8	22	19	17 15/16	11 5/8	43 3/8	38 1/16	30	30	5 1/4	5 1/16	60	7 1/2	1

- NOTES:
- 1) ALL DIMENSIONS ARE NOMINAL AND GIVEN IN INCHES.
 - 2) ACCESS DOORS LOCATED ON BOTH SIDES OF UNIT.
 - 3) THIS UNIT IS NOT FOR THRU-JOIST INSTALLATION.